

GP60/59F Gaspejs

KAL FIRE

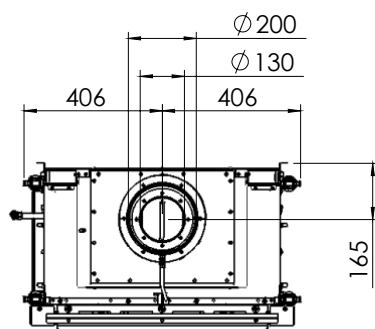
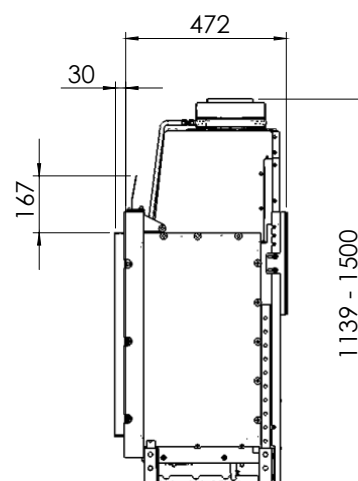
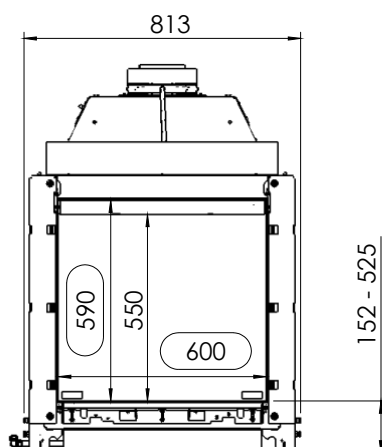
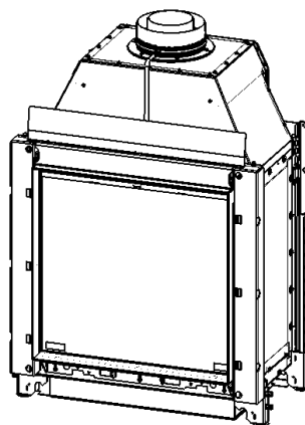


	Standard	Tilvalg
Brændertype		
Prestige brænder	•	
Hybridfunktion		•
NSG		•
Interiør		
Flat	•	
Sort keramisk glas		•
Design		•
Dekoration		
Keramisk brænde		•
Monteret ramme		
4-sidet, 3 cm dyb, 4 mm tyk	•	
4-sidet, 7 cm dyb, 8 mm tyk		•
4-sidet 10 cm dyb, 8 mm tyk		•
Aftræksdimension		130/200
	Naturgas	Flaskegas
Input (kW)	8,14	9,37
Output (kW)	6,2	7,13
Virkningsgrad %	76%	76 %

KALFIRE

FIREPLACES

GP60/59F



All dimensions in mm. Modifications under reserve.

21-7-2016 sheet 1 / 3

© All rights reserved. This drawing is sole property of Kal-fire. No part of this drawing may be reproduced, or published, in any form or in any way without prior written permission from Kal-fire.



ENERG Y IJA
енергия · ενεργεια IE IA

KALFIRE
FIREPLACES

Kalfire GP60/59F
gas type: G30 - 30 mbar



7,6
kW

ENERGIA · ЕНЕРГИЯ · ΕΝΕΡΓΕΙΑ · ENERGIJA · ENERGY · ENERGIE · ENERGI

2015/1186



ENERG
енергия · ενεργεια

Y IJA
IE IA

KALFIRE
FIREPLACES

Kalfire GP60/59F
gas type: G20



A

6,1
kW

ENERGIA · ЕНЕРГИЯ · ΕΝΕΡΓΕΙΑ · ENERGIJA · ENERGY · ENERGIE · ENERGI

2015/1186